

# Protistor® size 72 aR

1200VDC

## SEMICONDUCTOR PROTECTION FUSES

## SQUARE BODY HIGH-SPEED FUSE-LINKS DC PROTECTION



Mersen DC offers provide a very high performant protection for railway power and auxiliary circuits. Mersen DC Semiconductor fuse-links were developed to provide improved performance required by today's new DC equipment. These fuse-links are typically operated at more elevated temperature than other fuse type, have lower  $I^2t$  to minimize damage to protected components on short circuits, lower watt loss and longer life.

### TECHNICAL DATA OVERVIEW

Voltage DC	1200 VDC
Ampere Range (A)	160 ... 420 A
Speed/Characteristic	aR
Product Size	72
Package	1

### FEATURES & BENEFITS

- Low  $I^2t$  for improved semiconductor protection
- Extremely fast acting
- Excellent cycling capability

### APPLICATIONS

- Protection of inverters
- Protection of motor drives
- Protection of UPS systems
- Protection of similar 1200V or less equipments
- Railway power and auxiliary circuits

### STANDARDS

- IEC 60269-4 Compliance

# Protistor® size 72 aR

1200VDC

## PRODUCT RANGE

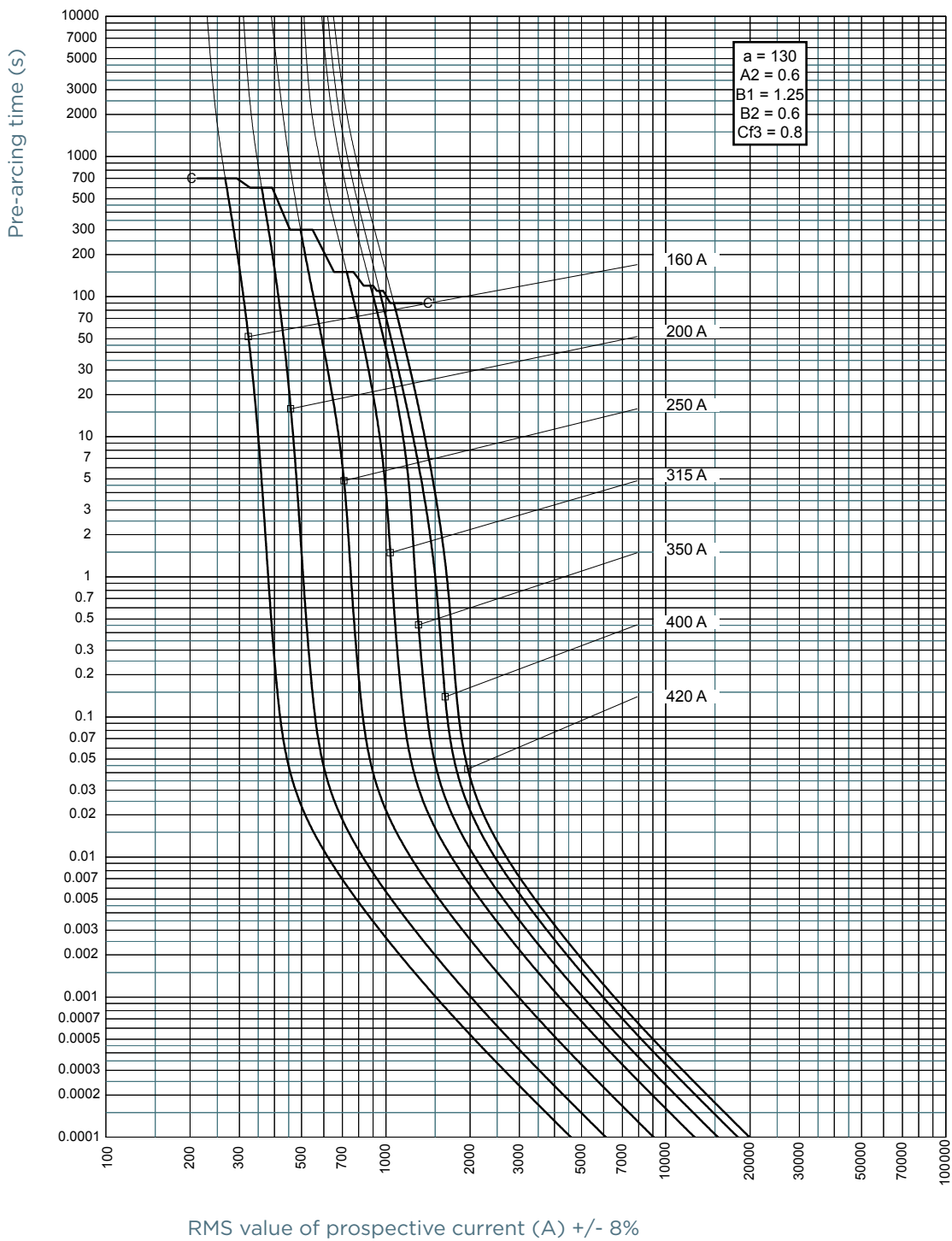


D72SG120V315QF

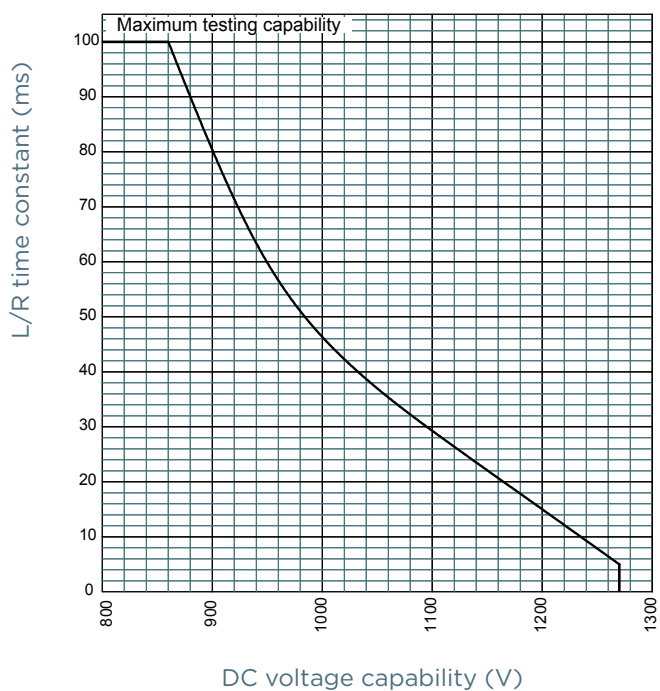
### Size 72 SR 1200VDC

Catalog number	Item number	Rated current $I_n$	Rated breaking capacity DC	Power dissipation at 0.8 $I_n$	Power dissipation at $I_n$	Max. total $I^2t$ @1000V for L/R=45ms	Max. total $I^2t$ @1000V for L/R=15ms	Weight
D72SG120V160QF	K079428	160 A	100 kA	41 W	77.5 W	20 kA <sup>2</sup> s	12 kA <sup>2</sup> s	1.15 kg
D72SG120V200QF	L079429	200 A	100 kA	48 W	88 W	36 kA <sup>2</sup> s	21 kA <sup>2</sup> s	1.15 kg
D72SG120V250QF	M079430	250 A	100 kA	57 W	96 W	78.5 kA <sup>2</sup> s	45.5 kA <sup>2</sup> s	1.15 kg
D72SG120V315QF	N079431	315 A	100 kA	60 W	110 W	154 kA <sup>2</sup> s	90 kA <sup>2</sup> s	1.15 kg
D72SG120V350QF	Q085574	350 A	100 kA	63 W	118 W	227 kA <sup>2</sup> s	131 kA <sup>2</sup> s	1.15 g
D72SG120V400QF	P079432	400 A	100 kA	66 W	129 W	314 kA <sup>2</sup> s	182 kA <sup>2</sup> s	1.15 kg
D72SG120V420QF	Q079433	420 A	100 kA	67 W	131 W	380 kA <sup>2</sup> s	220 kA <sup>2</sup> s	1.15 kg

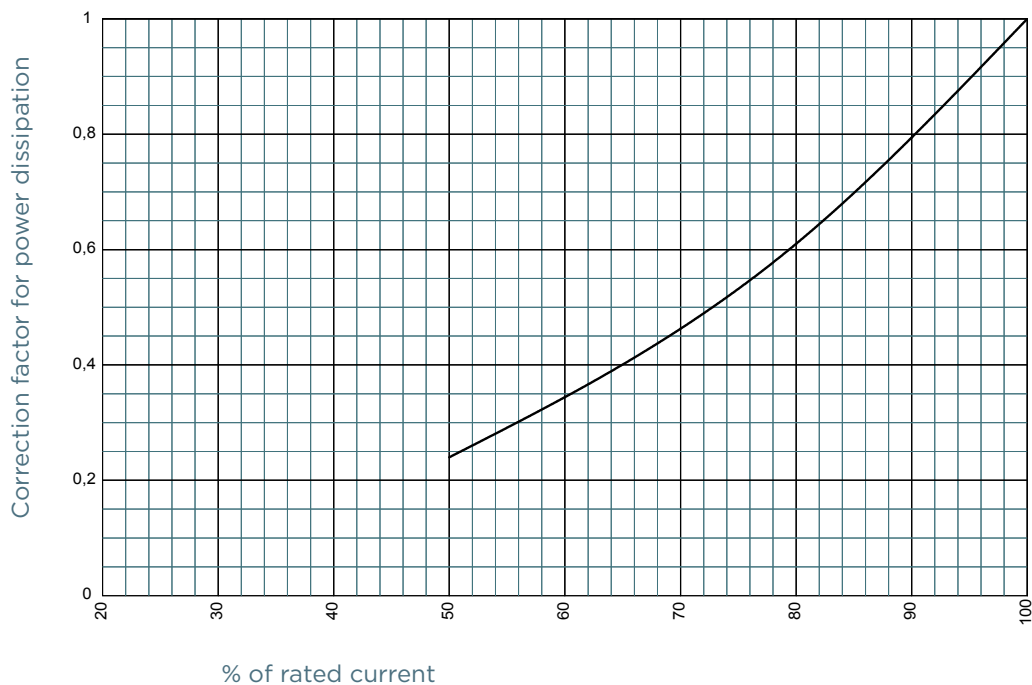
TIME CURRENT CHARACTERISTIC CURVES



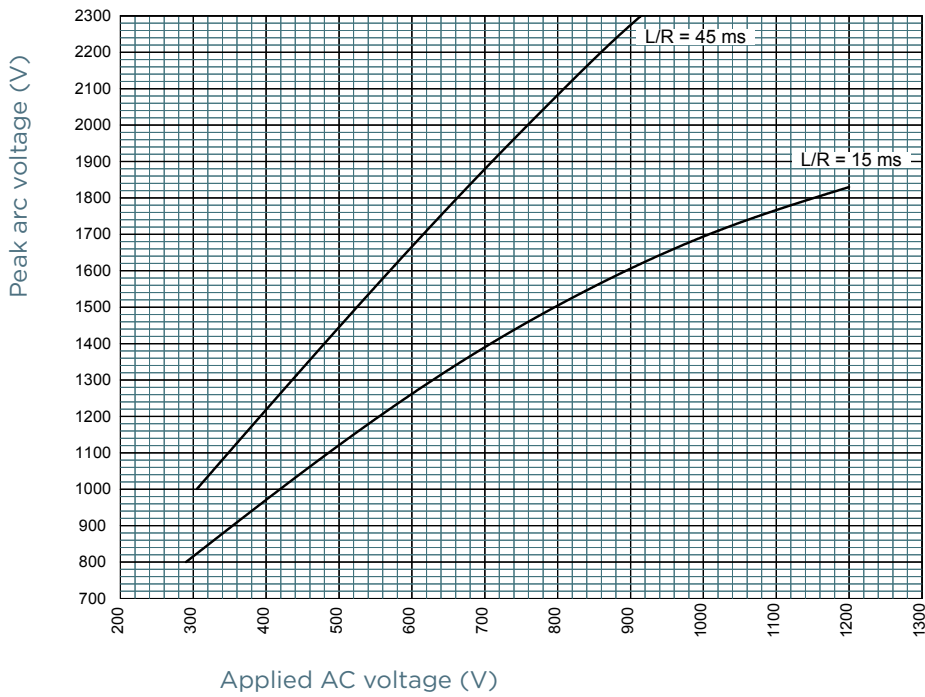
## L/R TIME CONSTANT VS DC VOLTAGE CAPABILITY



## POWER DISSIPATION



PEAK ARC VOLTAGE

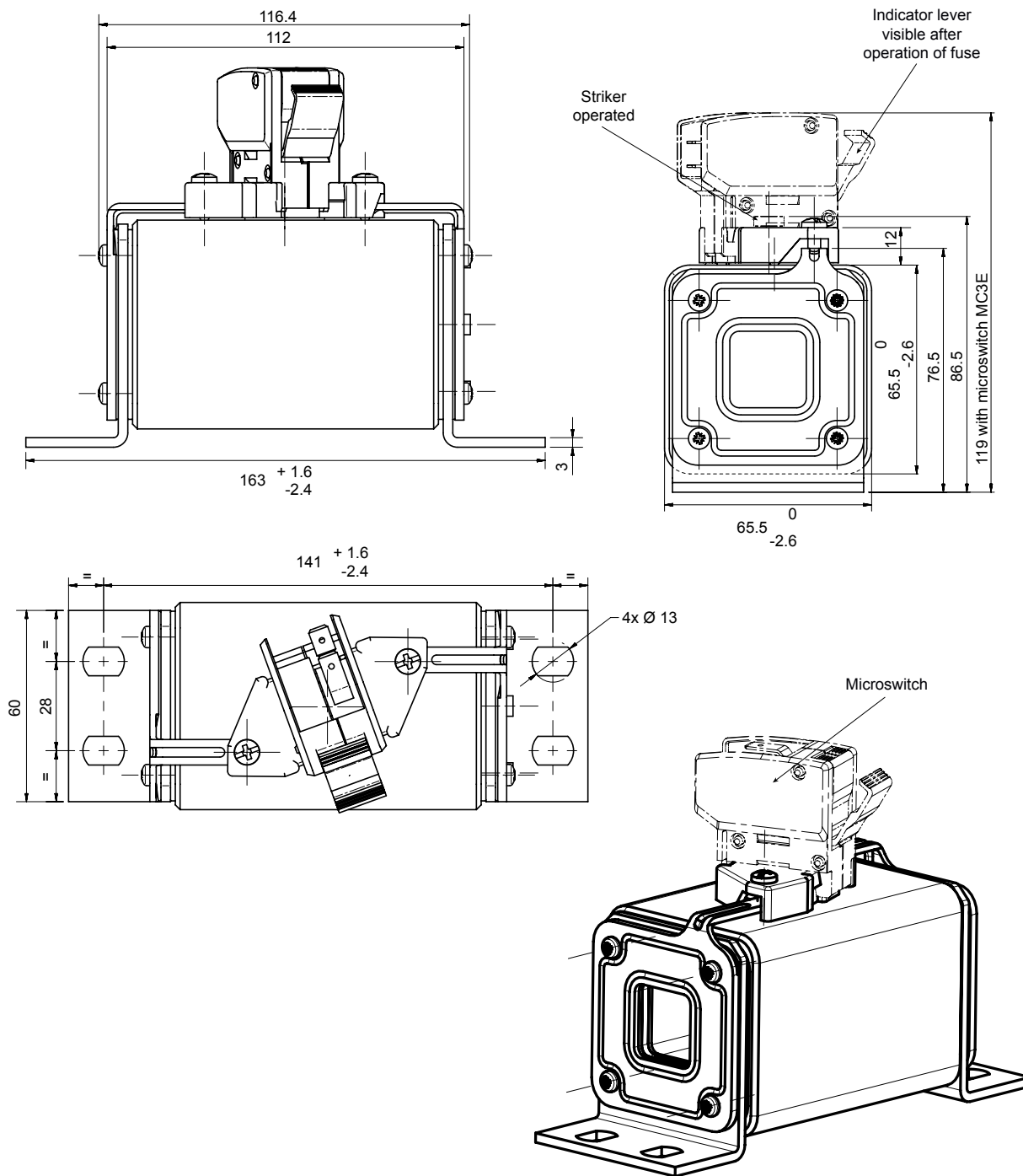


# Protistor® size 72 aR

1200VDC

## DIMENSIONS

### Size 72 SR 1200VDC



Dimensions in mm